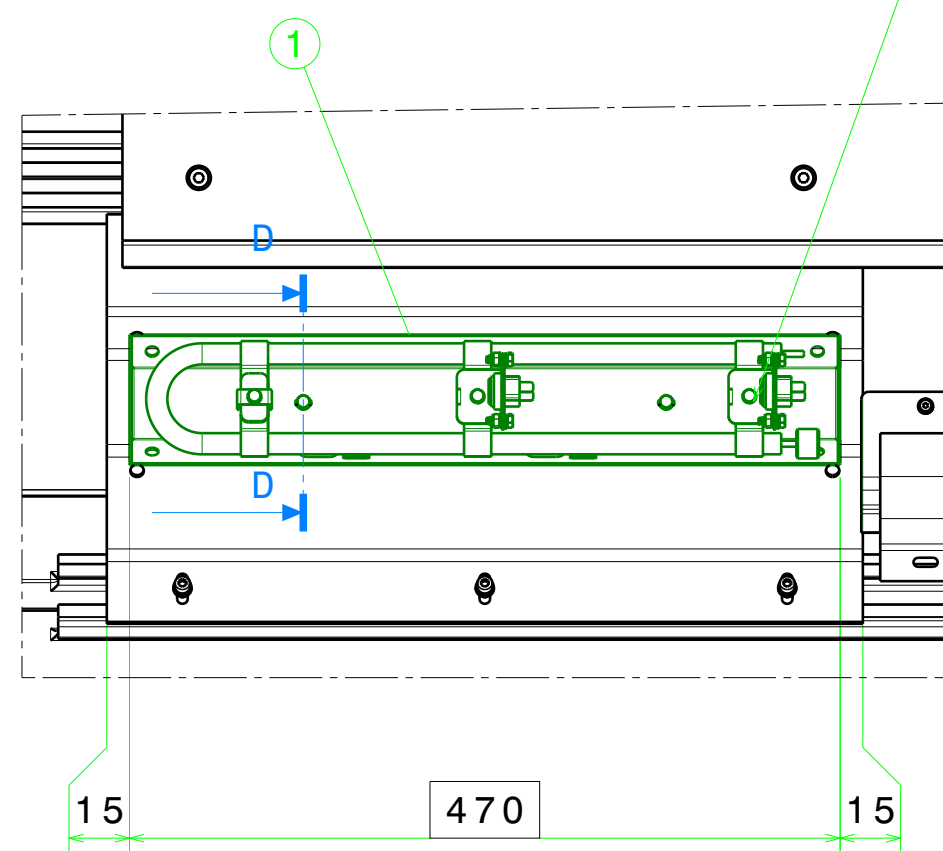
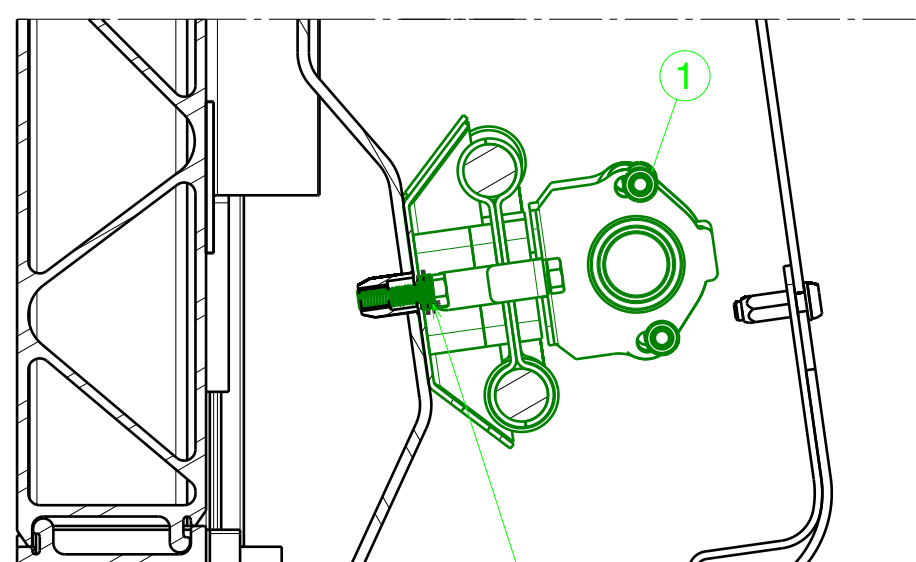


Detail C
Typical
Scale: 1:5



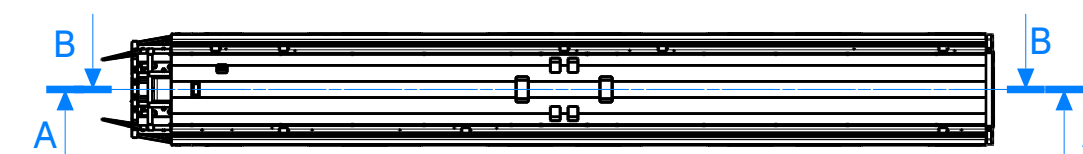
For electrical connection
see GZ10.28.02.00001

Section D-D
Typical
Scale: 1:2




For installation see
GZ10.28.02.00001

Scale: 1:200



ISO 2768 General Tolerances TS 12708 Steel Casting		
Nom. Size	Ham	Ypl.
<1000	6,0	0,8
<630	4,0	0,7
<400	3,0	0,6
<250	3,0	0,4
100	2,0	0,3
40	1,5	0,2
L mm	m ±	K ±
ISO 2768 General Tolerances TS 12708 Steel Casting		
Nom. Size	Class	
<4000	2,0	0,4
<2000	1,2	0,4
<1000	0,8	0,3
<400	0,5	0,3
30-120	0,3	0,2
2-30	0,2	0,1
L mm	m ±	K ±
ISO 13920 Welded Construction		
Nom. Size	Class	
>20000	9,0	8,0
<20000	8,0	7,0
<16000	7,0	6,0
<12000	6,0	5,0
<8000	5,0	4,0
<4000	4,0	3,0
<2000	3,0	2,0
<1000	2,0	1,5
<400	1,0	1,0
30-120	1,0	0,5
2-30	1,0	0,5
L mm	A ±	E ±
ISO 13920 Welded Construction		
Nom. Size	Class	

1	Heater	20	GZ10.28.02.00001	-	-	6,033 kg
						89,9
No	Parça Adı Designation Name of Item	Adet Qty.	Resim No / Norm Drawing No / Norm	Malzeme Material	Ölçü Dimension	Ağırlık Weight (Kg)
	ISO 21920-1	ISO 8015	ISO 2553	General Tol.	ISO 2768	f □ mX □ H □ K □
	EN 15085-2 Certification Level		CL1 □ CL2 □ CL3 □	Weld Pro. Cast Steel	ISO 13920	A □ B □ E □ F □
	Approved	L.Giovinazzo	15/03/2023	Scale	ISO 12708	Lm2 □ Lr2 □ Sm2 □ Sr2 □
	Checked	G.Mazzola	15/03/2023	1:50	 Turkish Railway Vehicles Industry Inc.	
	Prepared	G.Ierardi	15/03/2023			
				Heaters installation		GZ10.25.22.00000
Date: 15/03/2023						Sheet : 1/1
						Size:A2
						Rev: 01

Technical Specifications	Technical Document	Fixture/Mould Asset ID.	Coating/Heat Tre./Roughness	Paint/Color	R01	Update Heaters	09/10/2025	Sign
					Modf. No	Modification Description	Date	Sign

Reproduction, dissemination or use of this document or its contents in any form without the prior written permission of TURASAS, is prohibited. Offenders will be liable for the payment of damages. All rights reserved in the event of the grant of a patent. Utility model or ornamental design registration.